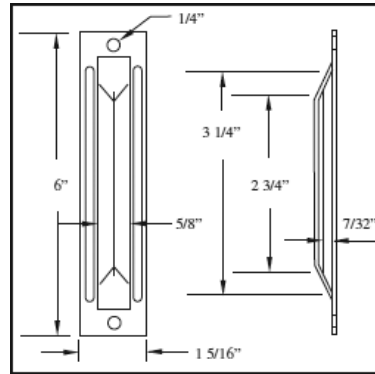
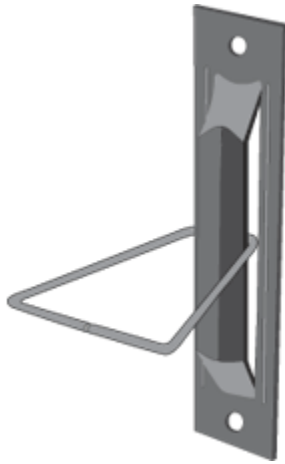




# PRODUCT SUBMITTAL

## VA14 Veneer Anchor



QSW recommends 16" x 16" anchor spacing

### Features & Benefits:

- integral back section to ensure positive lateral loading is transferred to the structural backup, minimizes veneer deflection.
- Corrugated front section provides maximum rigidity and strength in tie slot.
- 1/4" mounting holes for screw type installation
- Wire ties installed w/ anchor plate are available in various sizes.

CONFORMANCE OF MATERIAL	PRODUCT OPTIONS
<p><b>SHEET METAL</b> – (Carbon Steel) <b>ASTM A1008/A1008M</b></p> <p>Mill Galvanized / Zinc Coating: <b>ASTM A641 / A641M (0.10 oz per sq ft)</b>            Hot Dip Galvanized after fabrication / Zinc Coating <b>ASTM A153 / A153M-B2 (1.50 oz per sq ft)</b></p> <p>Stainless Steel (WIRE) <b>ASTM A580 / ASTM A580M</b>            Stainless Steel (SHEET METAL) <b>ASTM A167 Type 304</b></p> <p><b>ASTM A82 / A82M</b> – (Cold drawn steel wire)            Tensile Strength – 80,000 psi            Yield Point – 70,000 psi</p> <p><b>ACI / ASCE 530</b> – (Building code requirements for masonry structures)</p> <p><b>Recycled Content:</b> Mill Galvanized &amp; Hot Dipped, 82% Post-Consumer, 18% Post Industrial / Pre-Consumer            Stainless Steel, 60% Post-Consumer, VOC Content: 0%</p>	<p><b>Anchor Thickness:</b></p> <p><input type="checkbox"/> 14 gauge</p> <p><b>Finish:</b></p> <p><input type="checkbox"/> Mill Galvanized <input type="checkbox"/> Hot Dipped <input type="checkbox"/> Stainless Steel  <i>Stainless Steel recommended for maximum corrosion protection</i></p> <p><b>Triangle (Tri-Tie) Thickness:</b></p> <p><input type="checkbox"/> 3/16" (0.186") diameter</p> <p><b>Triangle (Tri-Tie) Size:</b></p> <p><input type="checkbox"/> 3" <input type="checkbox"/> 3.5" <input type="checkbox"/> 4" <input type="checkbox"/> 4.5" <input type="checkbox"/> 5"  <input type="checkbox"/> 6" <input type="checkbox"/> 7" <input type="checkbox"/> 8" <input type="checkbox"/> 10" <input type="checkbox"/> 12"</p> <p><b>IMPORTANT NOTE:</b> Each construction project is unique, thus appropriate selection of any QSW product must be determined by competent professionals familiar with the specific project requirements.</p>

9802 Widmer Rd, Lenexa, KS 66215

[www.QSWMFG.com](http://www.QSWMFG.com)



P: 913.888.2929 - FAX: 913.888.4405

100% American Labor & Materials