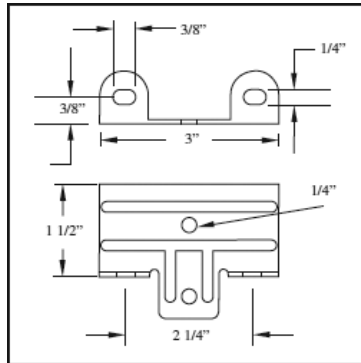




# PRODUCT SUBMITTAL

## RB14 Veneer Anchor (used with Pintle Veneer Tie)

RB14



### Applications:

Slotted holes in protruding front tabs provide a rigid backing for wire pintle tie

Two 1/4" diam. holes located in back portion of the anchor for attaching anchor to backup material.

### CONFORMANCE OF MATERIAL

**SHEET METAL** – (Carbon Steel) **ASTM A1008/A1008M**

Mill Galvanized / Zinc Coating: **ASTM A641 / A641M (0.10 oz per sq ft)**

Hot Dip Galvanized after fabrication / Zinc Coating **ASTM A153 / A153M-B2 (1.50 oz per sq ft)**

Stainless Steel (WIRE) **ASTM A580 / ASTM A580M**  
Stainless Steel (SHEET METAL) **ASTM A167 Type 304**

**ASTM A82 / A82M** – (Cold drawn steel wire)  
Tensile Strength – 80,000 psi  
Yield Point – 70,000 psi

**ACI / ASCE 530** – (Building code requirements for masonry structures)

**Recycled Content:** Mill Galvanized & Hot Dipped, 82% Post-Consumer, 18% Post Industrial / Pre-Consumer  
Stainless Steel, 60% Post-Consumer, VOC Content: 0%

### PRODUCT OPTIONS

**RB14 Steel Gauge (thickness):**

- #14 gauge (0.075" - 0.078")  
12 gauge may be available upon request

**RB14 Finish:**

- Mill Galvanized  Hot Dipped  Stainless Steel

**Pintle Tie Diameter:**

- 3/16 inch diameter  
Other diameters available upon request

**RB14 Pintle Tie Details:**

Pintle ties used with the RB14 anchor are manufactured with two vertical leg extensions, 1 5/8" in length, which provide a means of adjustment for tie to properly line up with a mortar joint when veneer is applied. Pintle ties are available in projection sizes of 3", 4", and 5".

(see "PINTLE TIES SUBMITTAL FORM" for wire ties)

9802 Widmer Rd, Lenexa, KS 66215

[www.QSWMFG.com](http://www.QSWMFG.com)



P: 913.888.2929 - FAX: 913.888.4405

100% AMERICAN LABOR & MATERIALS