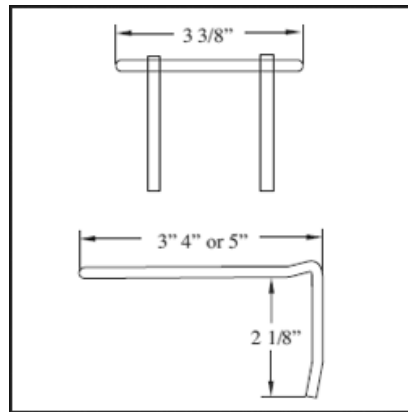
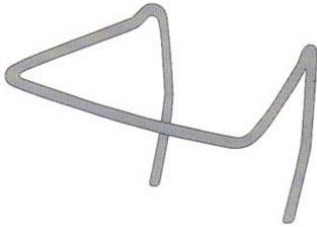




# PRODUCT SUBMITTAL

## Pintle Veneer Ties (various projection lengths)



### Features and Benefits:

- Used with RB14 veneer anchor or as tie component in wall systems w/double eye and pintle reinforcing.
- Two vertical leg extensions of the pintle provide adjustment in various applications

### CONFORMANCE OF MATERIAL

Mill Galvanized / Zinc Coating: **ASTM A641 / A641M (0.10 oz per sq ft)**

Hot Dip Galvanized after fabrication / Zinc Coating **ASTM A153 / A153M-B2 (1.50 oz per sq ft)**

Stainless Steel (WIRE) **ASTM A580 / ASTM A580M**  
Stainless Steel (SHEET METAL) **ASTM A167 Type 304**

**ASTM A82 / A82M** – (Cold drawn steel wire)  
Tensile Strength – 80,000 psi  
Yield Point – 70,000 psi

**ACI / ASCE 530** – (Building code requirements for masonry structures)

**Recycled Content:** Mill Galvanized & Hot Dipped, 82% Post-Consumer, 18% Post Industrial / Pre-Consumer  
Stainless Steel, 60% Post-Consumer, VOC Content: 0%

### PRODUCT OPTIONS

#### Pintle Wire Diameter:

- 3/16" (0.186" diameter)

#### Wire Finish:

- Mill Galvanized  Hot Dipped  Stainless Steel

#### Pintle Wire Protrusion Length:

- 3 inch  4 inch  5 inch  8 inch

**More lengths and wire diameters may be available upon request**

**IMPORTANT NOTE:** Each construction project is unique, thus appropriate selection of any QSW product must be determined by competent professionals familiar with the specific project requirements.

9802 Widmer Rd, Lenexa, KS 66215

[www.QSWMFG.com](http://www.QSWMFG.com)



P: 913.888.2929 - FAX: 913.888.4405

**100% American Labor & Materials**