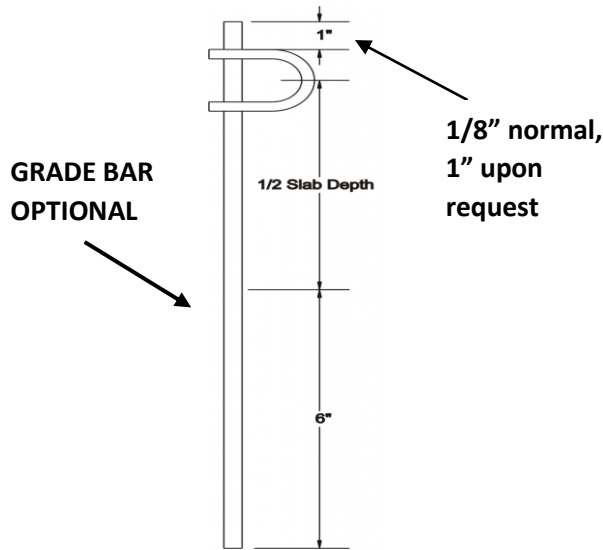




PRODUCT SUBMITTAL

P-Stakes (various sizes)



Features + Benefits:

Dowell and tie bar support

American sourced and manufactured

Loop: 0.218" bright basic

Shaft: 0.312" bright basic

CONFORMANCE OF MATERIAL

Mill Galvanized / Zinc Coating: **ASTM A641 / A641M (0.10 oz per sq ft)**

Hot Dip Galvanized after fabrication / Zinc Coating **ASTM A153 / A153M-B2 (1.50 oz per sq ft)**

Stainless Steel (WIRE) **ASTM A580 / ASTM A580M**
Stainless Steel (SHEET METAL) **ASTM A167 Type 304**

ASTM A82 / A82M – (Cold drawn steel wire)
Tensile Strength: 70,000 - 90,000 psi
Yield Point: 85,000 psi

ACI / ASCE 530 – (Building code requirements for masonry structures)

Recycled Content: Mill Galvanized & Hot Dipped, 82% Post-Consumer, 18% Post Industrial / Pre-Consumer
Stainless Steel, 60% Post-Consumer, VOC Content: 0%

PRODUCT OPTIONS

Shaft length:

8-inch 10-inch 12-inch

Wire Diameter(s):

0.218" P-loop dia. 0.312" shaft dia.

Loop Opening:

Max bar rod diameter is 1 1/4" approximately

Finish:

A1008 bright carbon steel ONLY

P Stakes WITH a grade bar welded on may be available upon request - region and volume dependent.

(SEE ARROW IN PICTURE)

9802 Widmer Rd, Lenexa, KS 66215

www.QSWMFG.com



P: 913.888.2929 - FAX: 913.888.4405

100% American Labor & Materials