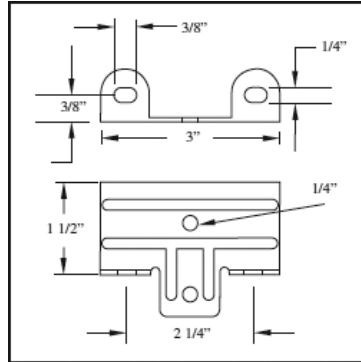


# PRODUCT SUBMITTAL



## RB14 Veneer Anchor (used with Pintle Veneer Tie)

RB14



### Applications:

Slotted holes in protruding front tabs provide a rigid backing for wire pintle tie

Two 1/4" diam. holes located in back portion of the anchor for attaching anchor to backup material.

MATERIAL CONFORMANCE	SIZES & FINISHES
<p><b>SHEET METAL</b> – (Carbon Steel) <b>ASTM A1008/A1008M</b></p> <p>Mill Galvanized / Zinc Coating: <b>ASTM A641 / A641M (0.10 oz per sq ft)</b></p> <p>Hot Dip Galvanized after fabrication / Zinc Coating <b>ASTM A153 / A153M-B2 (1.50 oz per sq ft)</b></p> <p>Stainless Steel (WIRE) <b>ASTM A580 / ASTM A580M</b></p> <p>Stainless Steel (SHEET METAL) <b>ASTM A167 Type 304</b></p> <p><b>ASTM A82 / A82M</b> – (Cold drawn steel wire)</p> <p>Tensile Strength – 80,000 psi</p> <p>Yield Point – 70,000 psi</p> <p><b>ACI / ASCE 530</b> – (Building code requirements for masonry structures)</p> <p><b>Recycled Content:</b> Mill Galvanized &amp; Hot Dipped, 82% Post-Consumer, 18% Post Industrial / Pre-Consumer</p> <p>Stainless Steel, 60% Post-Consumer, VOC Content: 0%</p>	<p><b>RB14 Steel Gauge (thickness):</b></p> <p><input type="checkbox"/> #14 gauge (0.075" - 0.078")</p> <p><b>12 gauge may be available upon request</b></p> <p><b>RB14 Finish:</b></p> <p><input type="checkbox"/> Mill Galvanized <input type="checkbox"/> Hot Dipped <input type="checkbox"/> Stainless Steel</p> <p><b>Pintle Tie Diameter:</b></p> <p><input type="checkbox"/> 3/16 inch diameter</p> <p><b>Other diameters available upon request</b></p> <p><b>RB14 Pintle Tie Details:</b></p> <p>Pintle ties used with the RB14 anchor are manufactured with two vertical leg extensions, 1 5/8" in length, which provide a means of adjustment for tie to properly line up with a mortar joint when veneer is applied. Pintle ties are available in projection sizes of 3", 4", and 5".</p> <p><b>(see "PINTLE TIES SUBMITTAL FORM" for wire ties)</b></p>

9802 Widmer Rd, Lenexa, KS 66215



www.QSWP.com

P: 913.888.2929 - FAX: 913.888.4405



**MADE IN AMERICA**