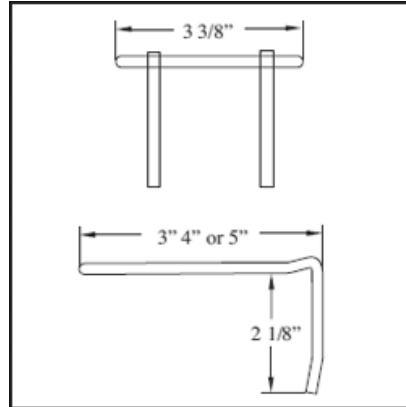
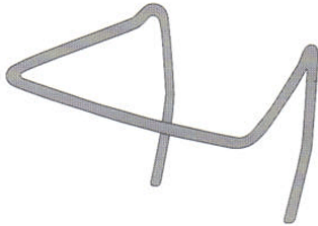


# PRODUCT SUBMITTAL

## Pintle Veneer Ties (various projection lengths)



### Features and Benefits:

- Used with RB14 veneer anchor or as tie component in wall systems w/double eye and pintle reinforcing.
- Two vertical leg extensions of the pintle provide adjustment in various applications

MATERIAL CONFORMANCE	SIZES & FINISHES
<p>Mill Galvanized / Zinc Coating: <b>ASTM A641 / A641M (0.10 oz per sq ft)</b> Hot Dip Galvanized after fabrication / Zinc Coating <b>ASTM A153 / A153M-B2 (1.50 oz per sq ft)</b></p> <p>Stainless Steel (WIRE) <b>ASTM A580 / ASTM A580M</b> Stainless Steel (SHEET METAL) <b>ASTM A167 Type 304</b></p> <p><b>ASTM A82 / A82M</b> – (Cold drawn steel wire) Tensile Strength – 80,000 psi Yield Point – 70,000 psi</p> <p><b>ACI / ASCE 530</b> – (Building code requirements for masonry structures)</p> <p><b>Recycled Content:</b> Mill Galvanized &amp; Hot Dipped, 82% Post-Consumer, 18% Post Industrial / Pre-Consumer Stainless Steel, 60% Post-Consumer, VOC Content: 0%</p>	<p><b>Pintle Wire Diameter:</b></p> <p><input type="checkbox"/> 3/16" (0.186" diameter)</p> <p><b>Wire Finish:</b></p> <p><input type="checkbox"/> Mill Galvanized <input type="checkbox"/> Hot Dipped <input type="checkbox"/> Stainless Steel</p> <p><b>Pintle Wire Protrusion Length:</b></p> <p><input type="checkbox"/> 3 inch <input type="checkbox"/> 4 inch <input type="checkbox"/> 5 inch <input type="checkbox"/> 8 inch</p> <p style="text-align: center;"><b>More lengths and wire diameters may be available upon request</b></p> <p><b>IMPORTANT NOTE:</b> Each construction project is unique, thus appropriate selection of any QSW product must be determined by competent professionals familiar with the specific project requirements.</p>

9802 Widmer Rd, Lenexa, KS 66215



www.QSWP.com

P: 913.888.2929 - FAX: 913.888.4405



**MADE IN AMERICA**