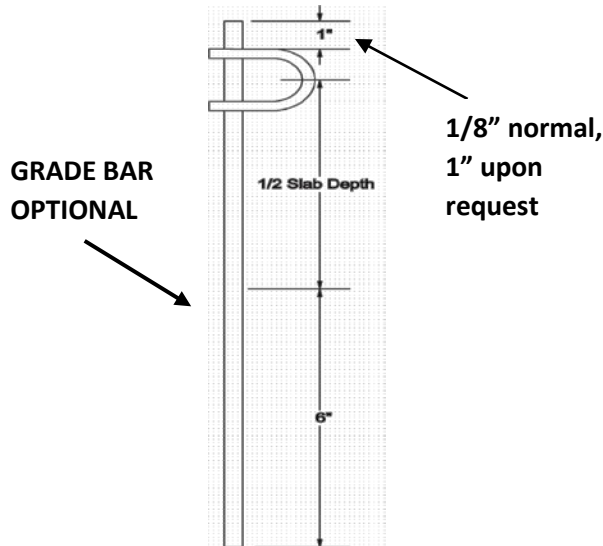


PRODUCT SUBMITTAL

P Stakes (various sizes)



Features + Benefits:

Dowell and tie bar support

American sourced and manufactured

Loop: 0.218" bright basic

Shaft: 0.312" bright basic

MATERIAL CONFORMANCE	SIZES & FINISHES
<p>Mill Galvanized / Zinc Coating: ASTM A641 / A641M (0.10 oz per sq ft) Hot Dip Galvanized after fabrication / Zinc Coating ASTM A153 / A153M-B2 (1.50 oz per sq ft)</p> <p>Stainless Steel (WIRE) ASTM A580 / ASTM A580M Stainless Steel (SHEET METAL) ASTM A167 Type 304</p> <p>ASTM A82 / A82M – (Cold drawn steel wire) Tensile Strength: 70,000 - 90,000 psi Yield Point: 85,000 psi</p> <p>ACI / ASCE 530 – (Building code requirements for masonry structures)</p> <p>Recycled Content: Mill Galvanized & Hot Dipped, 82% Post-Consumer, 18% Post Industrial / Pre-Consumer Stainless Steel, 60% Post-Consumer, VOC Content: 0%</p>	<p>Shaft length: <input type="checkbox"/> 8-inch <input type="checkbox"/> 10-inch <input type="checkbox"/> 12-inch</p> <p>Wire Diameter(s): <input type="checkbox"/> 0.218" P-loop dia. <input type="checkbox"/> 0.312" shaft dia.</p> <p>Loop Opening: Max bar rod diameter is 1 1/4" approximately</p> <p>Finish: <input type="checkbox"/> A1008 bright carbon steel ONLY</p> <p>P Stakes WITH a grade bar welded on may be available upon request - region and volume dependent. (SEE ARROW IN PICTURE)</p>

9802 Widmer Rd, Lenexa, KS 66215



www.QSWP.com

P: 913.888.2929 - FAX: 913.888.4405



MADE IN AMERICA