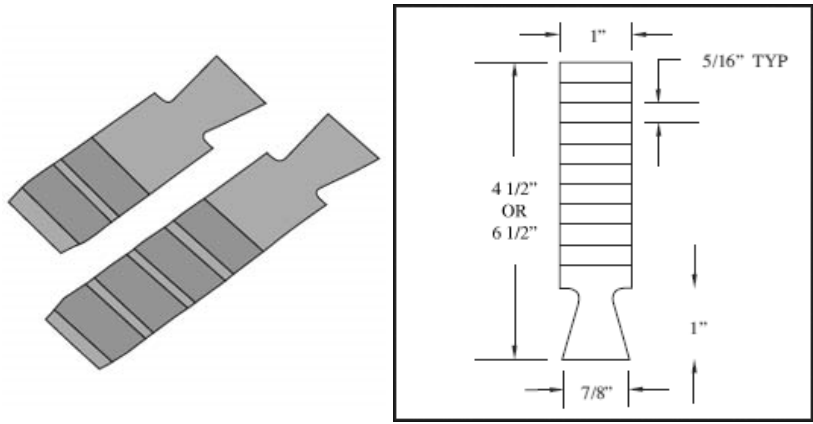


# PRODUCT SUBMITTAL

## 3 1/2 inch Dovetail Anchor



**Application:**  
 Inserted into Dovetail  
 Anchor Slot

MATERIAL CONFORMANCE	SIZES & FINISHES
<p><b>3.5" Dovetail Anchor</b> – anchors masonry to concrete</p> <p><b>Standard</b> – 1 inch wide x 16ga. – 3.5" long                      (other lengths may be available upon request)</p> <p><b>MATERIAL CONFORMANCE</b>  <b>Sheet Metal</b> (Carbon Steel) – ASTM A1008/A1008M                      Zinc Coating:                      Mill Galvanized: ASTM A653/A653M Class B</p> <p><b>Sheet Metal</b> (Stainless Steel)                      ASTM A 666, ASTM A 480, ASTM A420/ A240M                      ASTM A167, AISI Type 304 Stainless</p> <p><b>NOTE:</b>                      Quality Steel and Wire, LLC is not responsible for incompatibility if ties/slots are interchanged with those of other manufacturers.</p>	<p><b>Dovetail Anchor Slot:</b>                      (coming FALL 2017)</p> <p><b>Standard Anchor Slot Dimensions:</b>                      1" width x 10' length filled with foam</p> <p><b>16 GA 3.5" Dovetail Anchor Finish:</b>  <input type="checkbox"/> Mill Galvanized   <input type="checkbox"/> Hot Dipped   <input type="checkbox"/> Stainless Steel</p> <p><b>LENGTH:</b>  <input type="checkbox"/> 3"   <input type="checkbox"/> 5.5"   <input type="checkbox"/> Other _____</p> <p><b>NOTE:</b>                      Quality Steel and Wire, LLC recommends Stainless Steel for maximum protection against corrosion.</p>

9802 Widmer Rd, Lenexa, KS 66215



www.QSWP.com

P: 913.888.2929 - FAX: 913.888.4405



MADE IN AMERICA